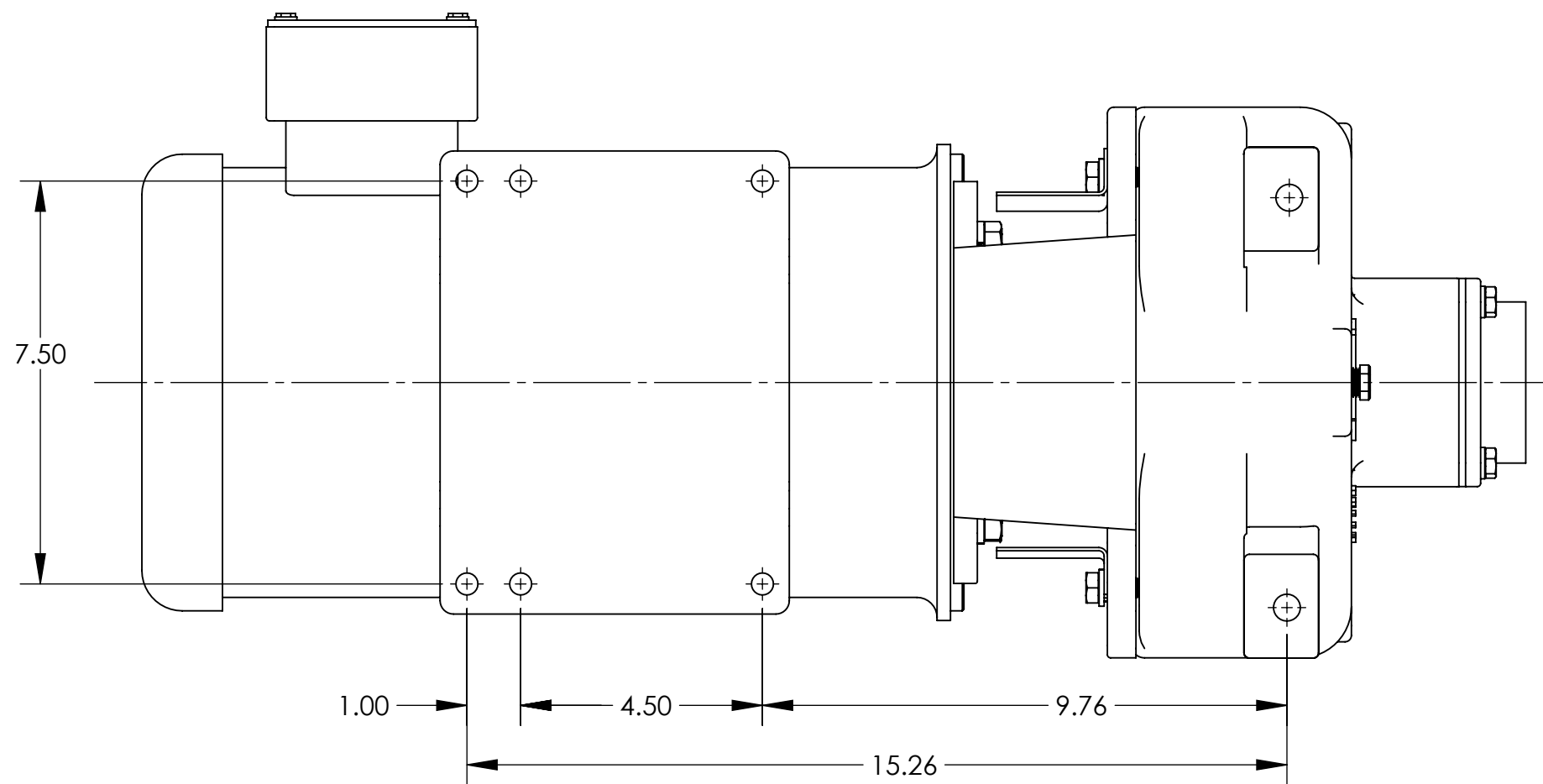
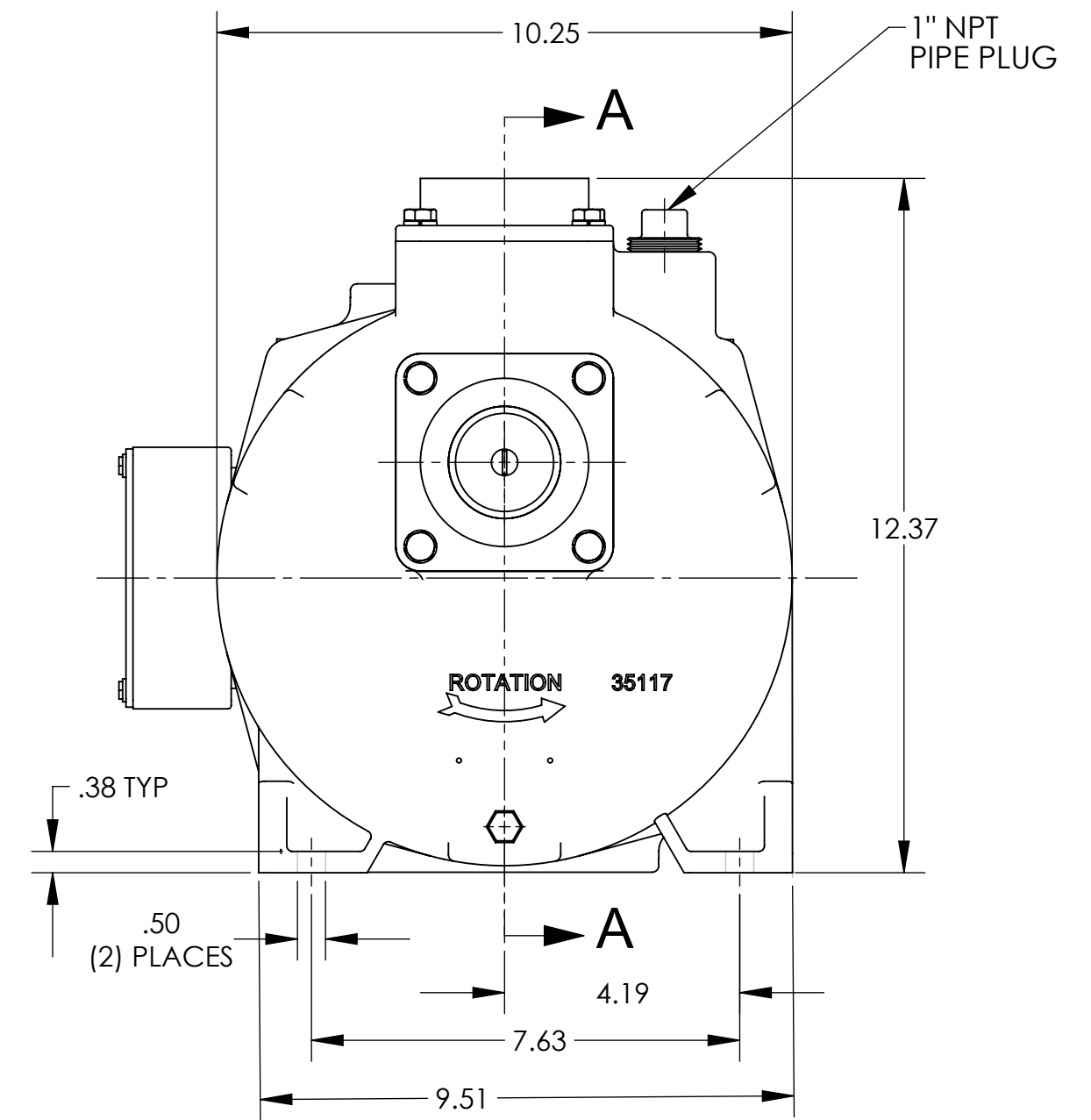


SECTION A-A



NOTE: THIS DRAWING OR PRINT, PROPERTY OF MP PUMPS INC., CONTAINS PROPRIETARY AND CONFIDENTIAL INFORMATION. IT SHALL BE USED ONLY AS APPROVED BY MP PUMPS AND SHALL NOT BE GIVEN TO OTHERS OR COPIED WITHOUT THE WRITTEN CONSENT OF MP PUMPS. RETURN TO MP PUMPS PROMPTLY WHEN REQUESTED.

G						UNLESS OTHERWISE NOTED THIRD ANGLE PROJECTION 2 PLACE DIM $\pm .020$ 3 PLACE DIM $\pm .010$ ANGULAR DIM $\pm 1^\circ$	MP PUMPS, INC. FRASER, MICHIGAN 48026, U.S.A.				
F											
E							MATERIAL				
D							MATERIAL SPECS				
C							DRAWN BY	DATE COMP.	APPROV.	SCALE	MADE FOR
B						S.F.	9/29/14	D.D.			
A						NAME					DRAWING NO
REV	DESCRIPTION	DRAWN	DATE	EN		HHLF2.0PMP B:7.5-3 184TC 6.7 HR					37205